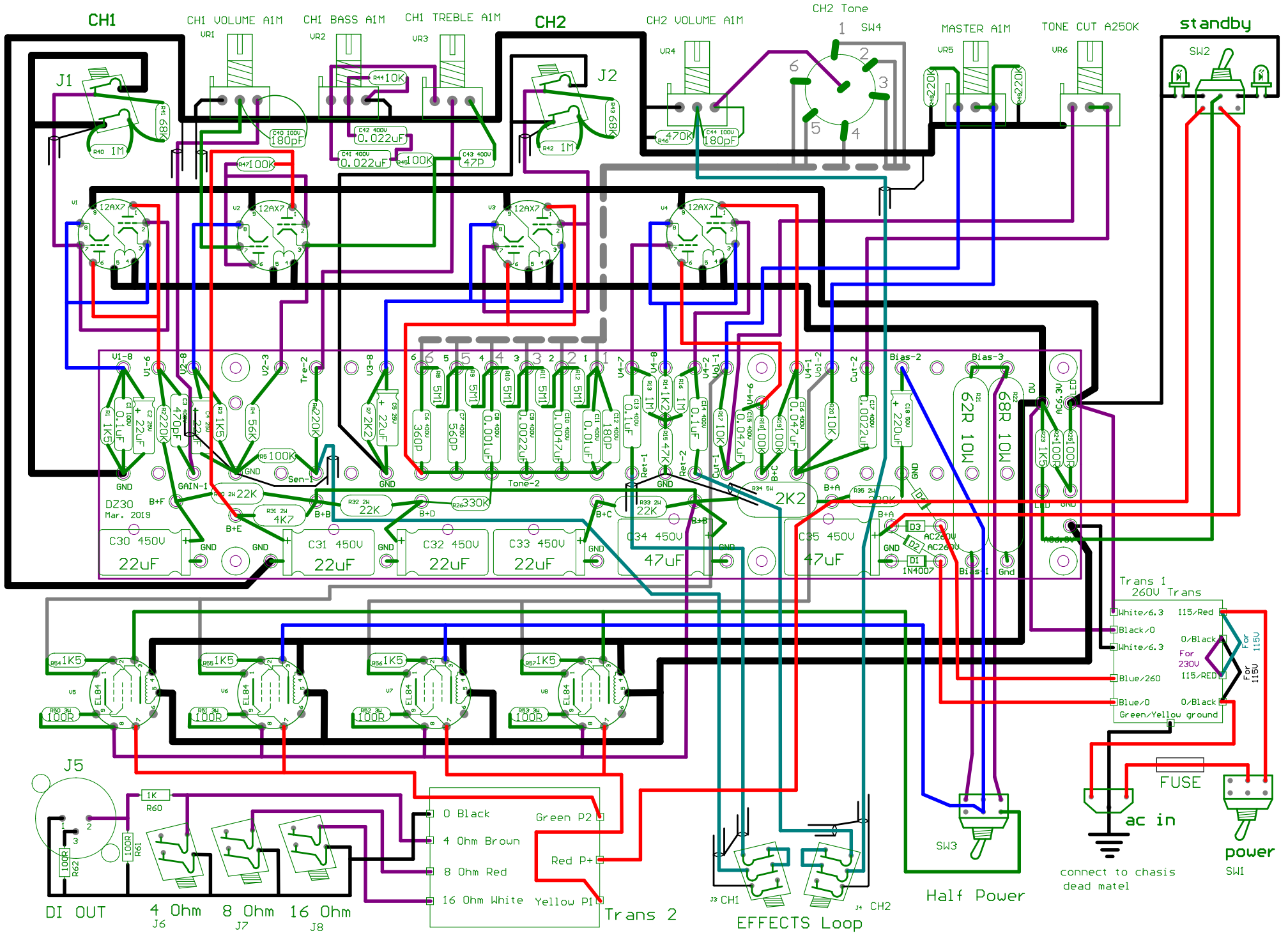


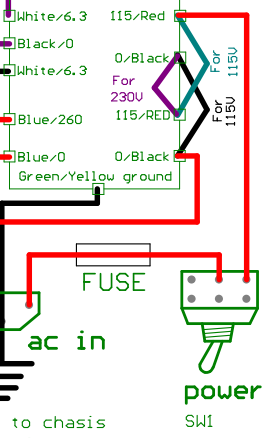
KLD DC30 Ver B May 09, 2019



Trans 1
260V Trans

White/6.3	115/Red
Black/0	0/Black
White/6.3	For 230V
Blue/260	115/RED
Blue/0	0/Black
Green/Yellow	ground

FUSE
ac in
connect to chassis dead metal



Trans 2

0 Black	Green P2
4 Ohm Brown	Red P+
8 Ohm Red	Yellow P1
16 Ohm White	

33 CH1
34 CH2
EFFECTS Loop

Half Power